

# FIAC Series

## FIAC 3000 Fountain in a Can™ with Revo™ Nozzle

FIAC-3000 Series Fountain-in-a-Can is a “pour in place” assembly containing a flush mount 360 degree revolving spray effect, and 360 degree illuminating LED light fixture. The assembly can be utilized for plaza style water features or may be used for interactive splash pads. The patent-pending manual adjustment valve allows for the effect height to be adjusted from the top-plate without ever having to enter the can.

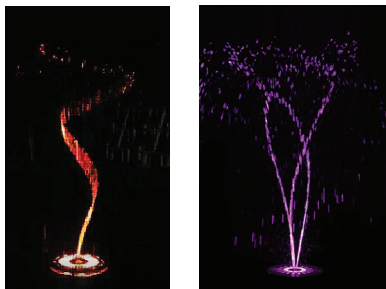
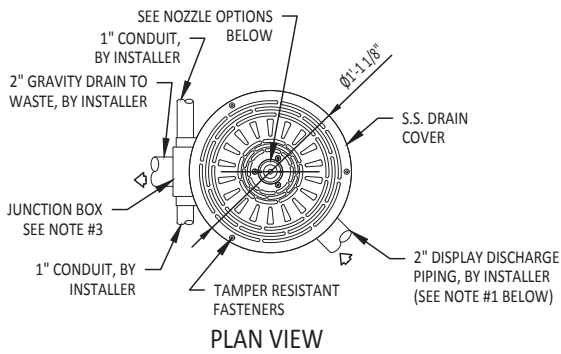
### Specification

FIAC-3000 Series Fountain-in-a-Can with REVO™ Nozzle, a “pour in place” flush mount revolving spray effect with 360 degree light fixture, The assembly includes a stainless steel housing with 1/4” thick stainless steel drain cover and contains (1) REVO™ Nozzle, (1) 360-degree 24V, 36 Watt, LED ring light with colored RGBW diodes, patent-pending top-access manual adjustment valve, junction box, bonding lug, 2” inlet connection, 2” drain connection, and (2) 1” conduit connection for light. Assembly is shipped with (3) anchor bolts, leveling nut & washers.



### Details

Model Number	Orifice Diameter	Feet	Spay Height							
			2	3	4	5	6	7	8	
FIAC-3000-SIN	.375"	GPM	12	15	18	19.8	21	22.8	24	
		Head Ft.	4	5	6	7	8	10	12	
FIAC-3000-TRI	.25"	GPM	16	20	23	26	27	30	31	
		Head Ft.	5	6	7	8	9	11	13	

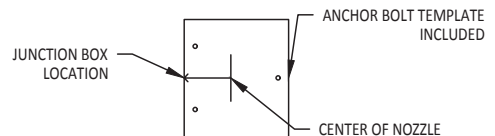
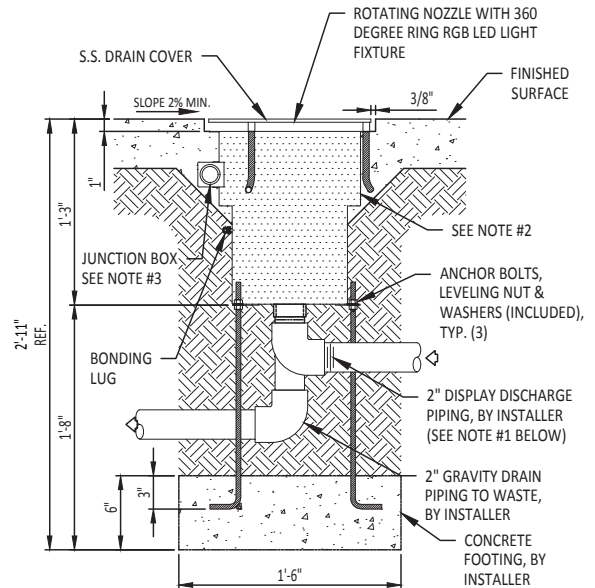


FIAC-3000-SIN,  
SINGLE SPIN



FIAC-3000-TRI,  
TRIPLE SPIN

\*PLAN VIEW OF NOZZLE SHOWN. DIAMETER OF NOZZLE IS ~ 1-3/16"



#### NOZZLE REQUIREMENTS:

- Nozzle requires fine screening for debris removal. #8 (3/32") minimum mesh or smaller.
- Housing must be encapsulated in concrete
- Two 1" connection points available. Only one utilized for 3000 Series.



2021-01