

FIC Series

Fountain in a Can™ - Geyser

Water Effect:

The original Geyser pine-tree shaped water effect in a water level independent configuration.

Construction:

Single piece, type 304 deep-drawn stainless steel housing with a 1½" FPT inlet, grounding connection, cast bronze top cover, EPDM 70 durometer o-ring, 18/8 stainless steel fasteners, and 11" diameter cast bronze top plate. Unit is supplied with a high density polyethylene (HDPE) construction cover, three 3/8" x 12" x 2" stainless steel anchor bolts with leveling nuts and washers, and a wood template.

Nozzle:

Precision machined brass, cast bronze, or copper.

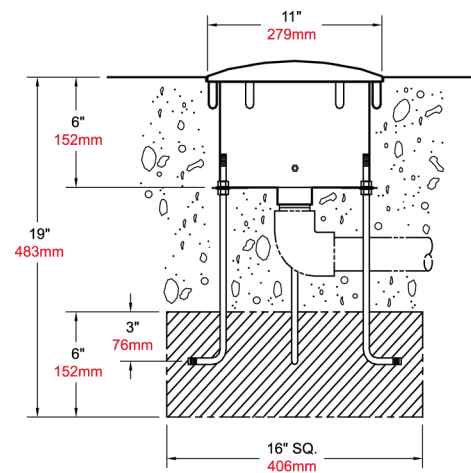
Finish:

Standard finish is Natural Bronze.
Optional finishes - Dark Bronze (DB), or Verde Green (VG).
Contact factory for custom finishes.



Details

Model Number	Top Diameter	Inlet FPT	Feet	Spray Height			
				3	5	7	10
FIC-G1100	11"	1½"	GPM	58	75	83	95
			Head Ft.	12	18	24	28
			Spread Ft.	2	4	5	7



NOZZLE REQUIREMENTS:

1. Nozzle requires fine screening for debris removal. #8 (3/32") minimum mesh or smaller.
2. Housing must be encapsulated in concrete.
3. One 1½" FTP connection point. Fittings by installer.

2021-01



fountain people™
A PLAYCORE Company

Creating compelling guest experiences with water.

Fountain People, Inc.

4600 HWY 123, San Marcos, TX 78666 | (512) 392-1155
info@fountainpeople.com | www.fountainpeople.com