

FIC Series

Fountain in a Can™ - Smooth Bore

Water Effect:

This elegantly simple solid stream water effect has 30° vertical adjustability on a 360° axis.

Construction:

Single piece, type 304 deep-drawn stainless steel housing with a 1" FPT inlet, grounding connection, cast bronze top cover, EPDM 70 durometer o-ring, 18/8 stainless steel fasteners, and 7" diameter cast bronze top plate. Unit is supplied with a high density polyethylene (HDPE) construction cover, three 3/8" x 12" x 2" stainless steel anchor bolts with leveling nuts and washers, and a wood template.

Nozzle:

Precision machined brass.

Finish:

Standard finish is Natural Bronze.

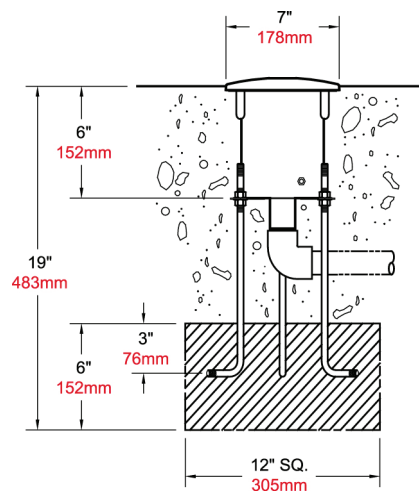
Optional finishes - Dark Bronze (DB), or Verde Green (VG).

Contact factory for custom finishes.



Details

Model Number	Top Diameter	Inlet FPT	Feet	Spray Height					
				2	4	6	8	10	12
FIC-S700	7"	1"	GPM	2	4	6.5	8.25	10	13
			Head Ft.	3	6	9	12	14	20



NOZZLE REQUIREMENTS:

1. Nozzle requires fine screening for debris removal. #8 (3/32") minimum mesh or smaller.
2. Housing must be encapsulated in concrete.
3. One 1" FTP connection point. Fittings by installer.

2021-01