

# FMN Series

## Flush Mount Adjustable Precision Jet:

FMN-APJ Series (Adj. Precision Jet) Flush Mount Nozzle produces a solid stream of water with 30° of adjustability in a flush mounted configuration.

### Specification:

FMN-APJ Series (Adj. Precision Jet) Flush Mount Nozzle, machined 304 stainless steel, 1" FNPT connection, and a stainless steel insert with machined orifice. Available in brass.

Material: Machined stainless steel or brass  
 Finish: Stainless steel or natural brass

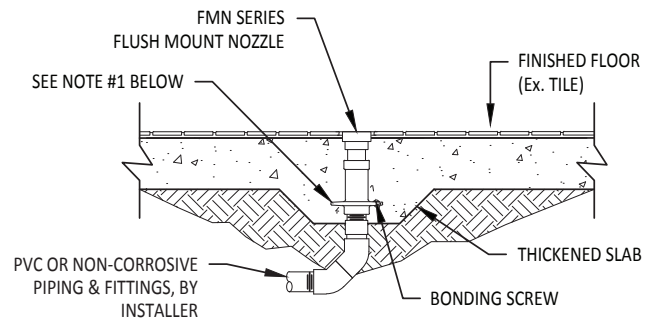
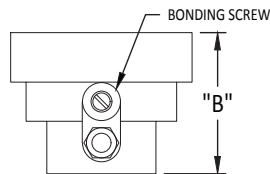
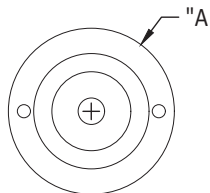


## Details

Model Number	Dimension		Inlet FPT	Orifice Diameter	Feet	Spray Height						
	A	B				2	3	4	5	6	7	8
FMN-100-APJ	2 <sup>5</sup> / <sub>8</sub> "	2"	1"	.375"	GPM	4	5	6	6.5	7	7.5	8
					Head Ft.	3.5	4.5	7	8	9	10.5	11.5

### TECHNICAL NOTES

1. WATERSTOP FITTING REQUIRED FOR CONCRETE POUR. SIZE BASED ON PIPING AND NOZZLE SIZE. (SEE CATALOG ITEM: FWS-SERIES)
2. NOZZLE REQUIRES FINE SCREENING FOR DEBRIS REMOVAL. #40 MINIMUM MESH OR SMALLER.
3. THESE NOZZLES ARE WATER LEVEL INDEPENDENT.



ELEVATION VIEW

2021-01