

FMN Series

Flush Mount Crown Jet:

FMN-CJ Series (Crown Jet) Flush Mount Nozzle produces a cluster of solid water outward arching the streams from a flush mounted configuration.

Specification:

FMN-CJ Series (Crown Jet) Flush Mount Nozzle, machined 304 stainless steel, 1" FNPT connection, and a stainless steel insert with machined orifice. Available in brass.

Material: Machined stainless steel or brass
 Finish: Stainless steel or natural brass

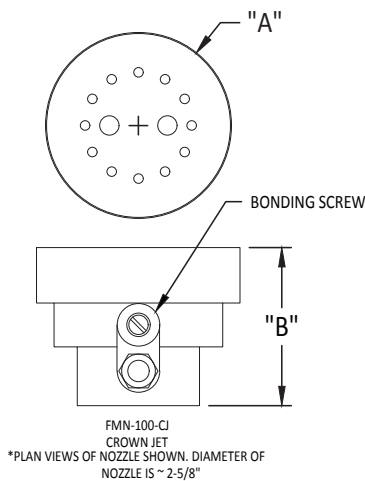


Details

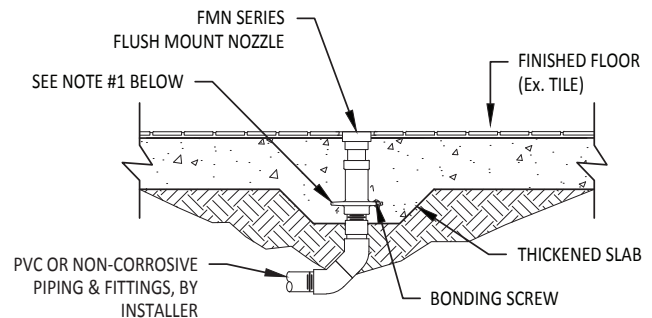
Model Number	Dimensions		Orifice Diameter	Feet	Spray Height						
	A	B			2	3	4	5	6	7	8
FMN-100-CJ	2 5/8"	2"	.109"	GPM	4	5	6	6.5	7	7.5	8.5
				Head Ft.	3.5	5	7	8	9	10.5	11.5

TECHNICAL NOTES

1. WATERSTOP FITTING REQUIRED FOR CONCRETE POUR. SIZE BASED ON PIPING AND NOZZLE SIZE. (SEE CATALOG ITEM: FWS-SERIES)
2. NOZZLE REQUIRES FINE SCREENING FOR DEBRIS REMOVAL. #40 MINIMUM MESH OR SMALLER.
3. THESE NOZZLES ARE WATER LEVEL INDEPENDENT.



ENLARGED PLAN VIEW



ELEVATION VIEW

2021-01