

FMN Series

Flush Mount Jet Cluster:

FMN-JC Series (Jet Cluster) Flush Mount Nozzle produces a cluster of solid streams which, when vertically aligned, create the effect of a column of water from a flush mounted configuration.

Specification:

FMN-JC Series (Jet Cluster) Flush Mount Nozzle, machined 304 stainless steel, 1" FNPT connection, and a stainless steel insert with machined orifice. Available in brass.

Material: Machined stainless steel or brass
 Finish: Stainless steel or natural brass

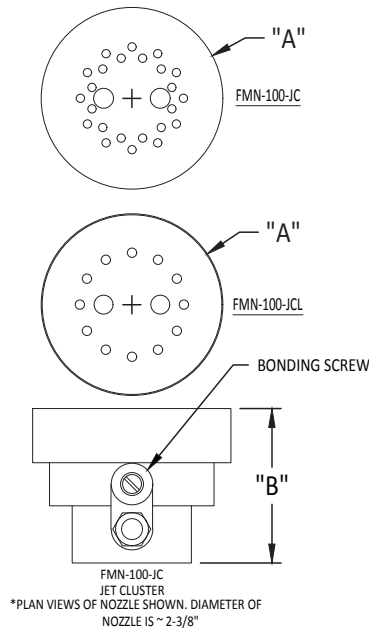


Details

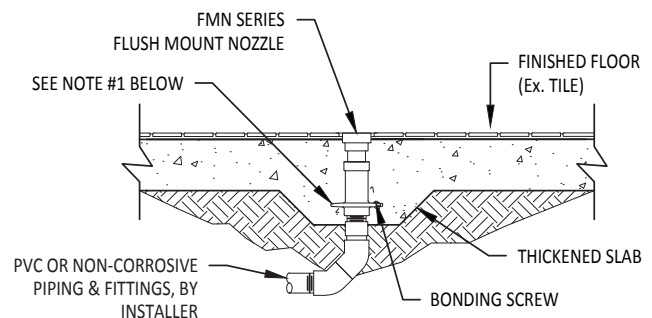
Model Number	Dimension		Inlet FPT	Orifice Diameter	Feet	Spray Height						
	A	B				2	3	4	5	6	7	8
FMN-100-JCL	2 5/8"	2"	1"	.109"	GPM Head Ft.	4	5	5.5	6.5	7	7.5	8.5
						3.5	5	7	8	9	10.5	11.5
FMN-100-JC	2 5/8"	2"	1"	.109"	GPM Head Ft.	8	9.5	11	13	14	15	16
						4.5	6	7.5	9	10.5	11.5	12.5

TECHNICAL NOTES

1. WATERSTOP FITTING REQUIRED FOR CONCRETE POUR. SIZE BASED ON PIPING AND NOZZLE SIZE. (SEE CATALOG ITEM: FWS-SERIES)
2. NOZZLE REQUIRES FINE SCREENING FOR DEBRIS REMOVAL. #40 MINIMUM MESH OR SMALLER.
3. THESE NOZZLES ARE WATER LEVEL INDEPENDENT.



ENLARGED PLAN VIEW



ELEVATION VIEW

2021-01