

# FMN Series

## Flush Mount Shower Jet

FMN-SJ Series (Shower Jet) Flush Mount Nozzle produces a cluster of solid streams at varying angles to create the effect of a column of water from a flush mounted configuration.

### Specification:

FMN-SJ Series (Shower Jet) Flush Mount Nozzle, machined 304 stainless steel, 1" FNPT connection, and a stainless steel insert with machined orifice. Available in brass.

Material: Machined stainless steel or brass  
 Finish: Stainless steel or natural brass

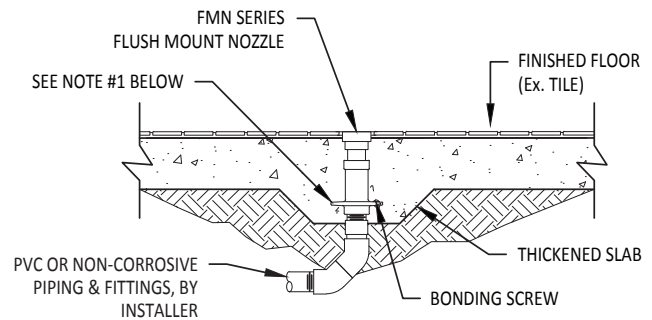
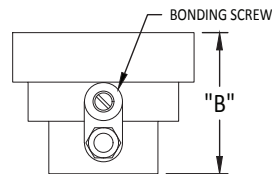
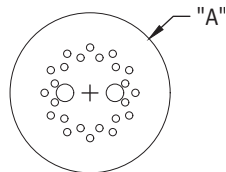


### Details

Model Number	Dimension		Inlet FPT	Orifice Diameter	Feet	Spray Height						
	A	B				2	3	4	5	6	7	8
FMN-100-SJ	2 <sup>5</sup> / <sub>8</sub> "	2"	1"	.109"	GPM	7.5	9.5	11	12	14	15	16.5
					Head Ft.	4.5	6	7	8	10	11.5	12

#### TECHNICAL NOTES

1. WATERSTOP FITTING REQUIRED FOR CONCRETE POUR. SIZE BASED ON PIPING AND NOZZLE SIZE. (SEE CATALOG ITEM: FWS-SERIES)
2. NOZZLE REQUIRES FINE SCREENING FOR DEBRIS REMOVAL. #40 MINIMUM MESH OR SMALLER.
3. THESE NOZZLES ARE WATER LEVEL INDEPENDENT.



ELEVATION VIEW

2021-01