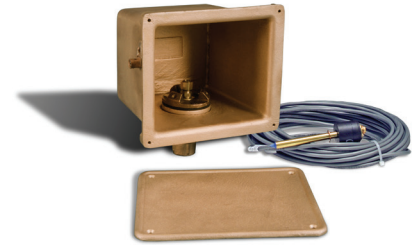


CWL-002W

Wall Mounted Water Level Sensor

CWL-002W is a wall mounted water level sensor. The assembly allows for a flush mounted application of the system water level sensor probe to be concealed behind a protective face plate. Typical use of the dual function sensor allows for automatic water fill valve control and low water pump shut off.



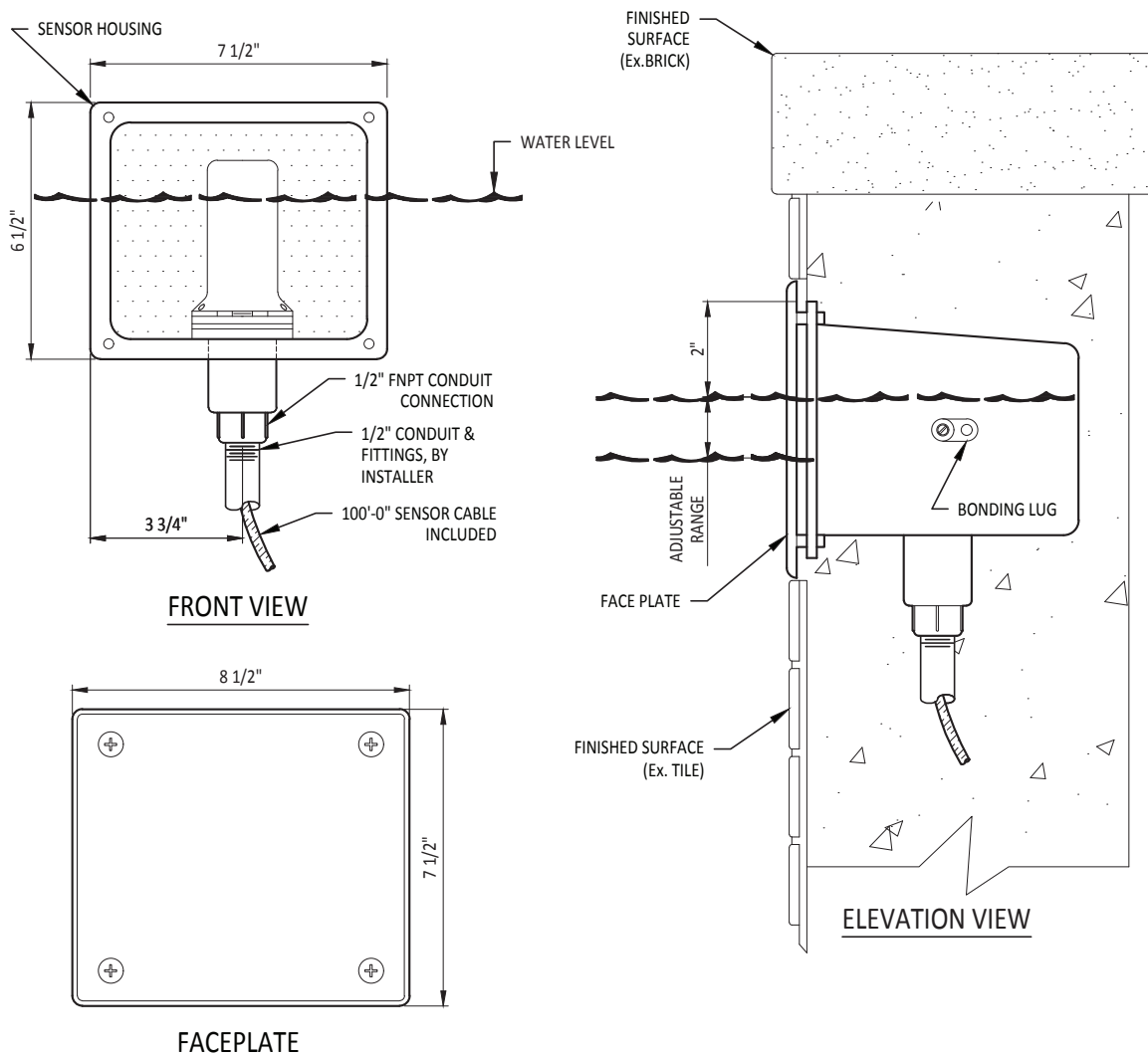
Specification:

CWL-002W Wall Mount Water Level Sensor, cast bronze housing with 1/2" threaded conduit connection. Includes (1) 1-1/2" sensor adjustability range, and cast bronze face plate. Included is dual function sensor with 100 feet of integral cable.

Details

TECHNICAL NOTES

1. HOUSING MUST BE BONDED UTILIZING A #8 AWG SOLID COPPER WIRE.



2021-01



fountain people[™]
A PLAYCORE Company

Creating compelling guest experiences with water.

Fountain People, Inc.

4600 HWY 123, San Marcos, TX 78666 | (512) 392-1155
info@fountainpeople.com | www.fountainpeople.com