

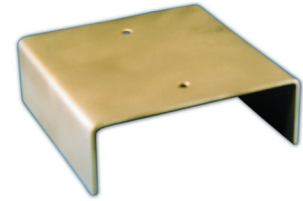
DIV-PL-Series

Diverter Plate

DIV-PL Series Diverter Plate is used for as either an anti-vortex device or a diverter device in narrow troughs and pool where bi-directional flow is required, and surface turbulence needs to be minimized.

Specification:

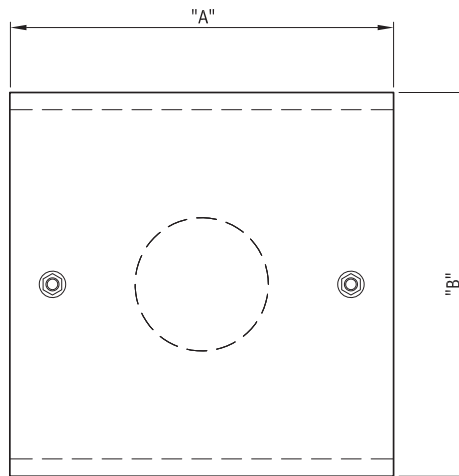
DIV-PL Series Diverter Plate; consists of a 1/8" thick brass (C-channel) bent plate. Construction is brushed natural finish with 5/16" clearance holes for a 1/4" stainless steel anchors, by installer.



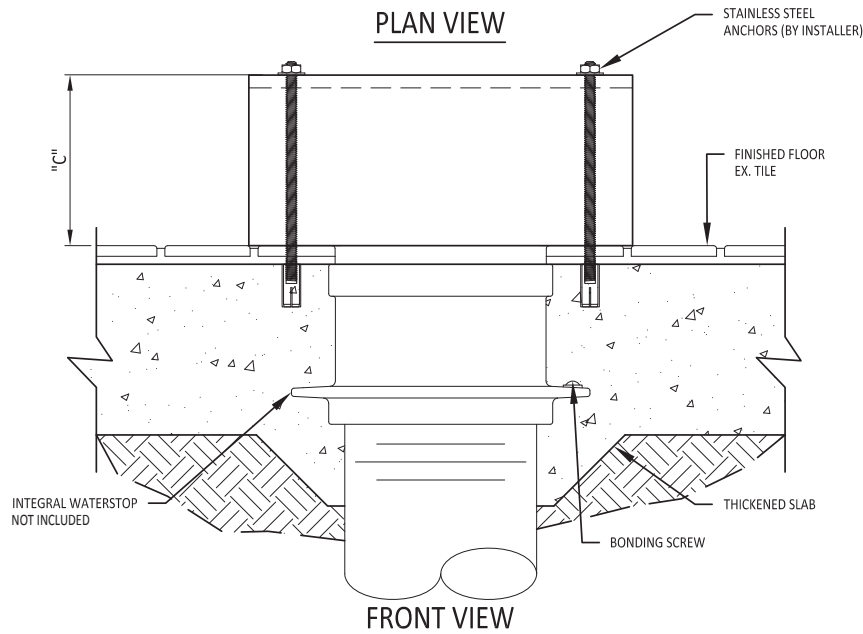
Details

TECHNICAL NOTES:

1. WATERSTOP FITTING INTENDED FOR FORMED CONCRETE OR GUNITE/ SHOTCRETE APPLICATIONS. THIS PRODUCT IS NOT INTENDED FOR POND/POOL LINER APPLICATIONS.
2. WATERSTOP MUST BE BONDED UTILIZING A #8 AWG SOLID COPPER WIRE.



PLAN VIEW



FRONT VIEW

Model Number	Dimensions		
	A	B	C
DIV-PL-362U	3"	6"	2"
DIV-PL-662U	6"	6"	2"
DIV-PL-882U	8"	8"	2"
DIV-PL-884U	8"	8"	4"
DIV-PL-894U	8"	9"	4"
DIV-PL-10104U	10"	10"	4"
DIV-PL-12124U	12"	12"	4"
DIV-PL-18184U	18"	18"	4"
DIV-PL-24124U	24"	24"	4"

2021-01