

R-50

Mechanical Float Valve

R-50 Mechanical Float Valve w/Niche is a way to control the water level in a fountain or pool. The mechanical float valve allows for minor adjustment in water level.

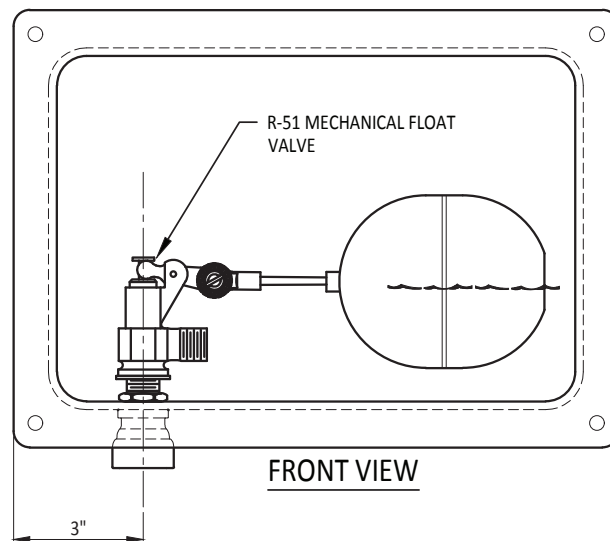
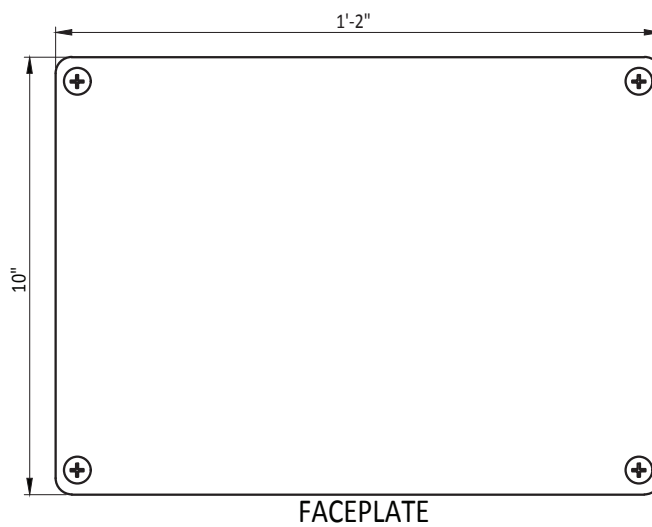
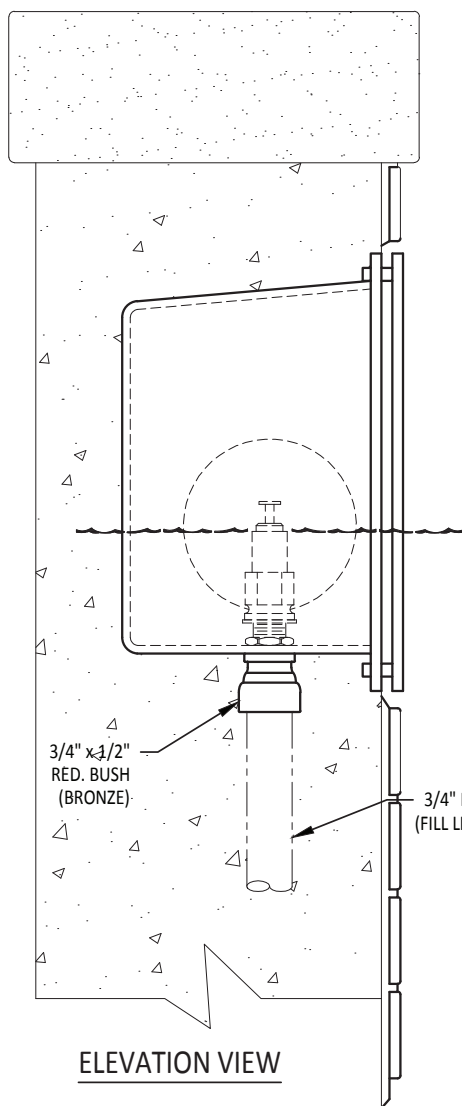
Specification:

R-50 Mechanical Float Valve w/Niche, niche and faceplate are white acrylic, brass valve with a plastic float, 3/4" threaded connection. 15 GPM maximum flow rate.

Note: For optional brass face plate, add suffix **-B** to catalog number.



Details



2021-01



fountain people[™]
A PLAYCORE Company

Creating compelling guest experiences with water.

Fountain People, Inc.
4600 HWY 123, San Marcos, TX 78666 | (512) 392-1155
info@fountainpeople.com | www.fountainpeople.com