

WSM-1D

WSM-1D Wind Speed Monitor & Control

WSM-1D Wind Speed Anemometer & Control is for fountain systems in which automatic adjustment to the spray effects spray is desired due to wind conditions. Depending on the type of controls and functionality designed, the spray effect may be reduced in height or the system may completely shut down.

Specification:

WSM-1D Wind Speed Monitor & Control; UL Listed adjustable wind speed velocity controller, includes solid state circuits, triple LED display, operational pilot lights, manual override switches, two independent output relays, 0-100 second time delay relays (one per set-point) housed in a NEMA 4 polycarbonate enclosure with "no tool required" removable transparent cover.

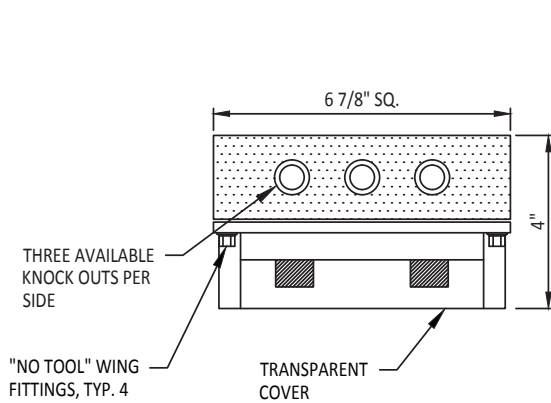


Details

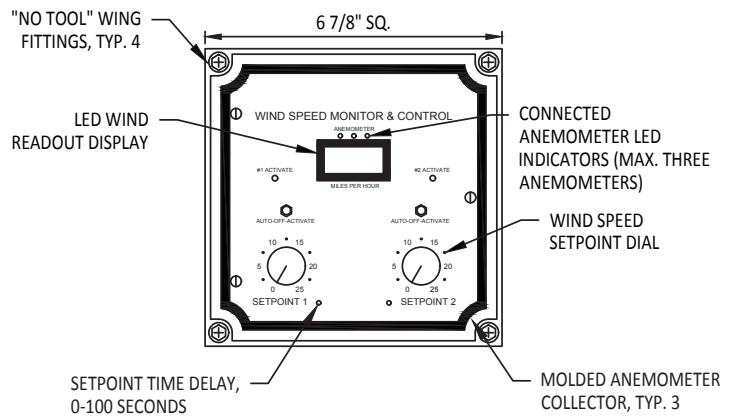
Model Number	Power	# of Stages	Anemometer Speed Range	Set-point Range	Time Delay	# of Anemometers	Usage Options	Output Controls
WSM-1D	120/240VAC 3.5W MAX.	Two	0-120 MPH	0-25 MPH	0-100 Seconds/ Set-point	Up to Three	Reduce Spray Height via VFD/ Electric Valve or Pump Shut Off	8 A @ 24 VDC 1/2 HP @ 240V 10 A @ 240V

TECHNICAL NOTES:

1. 18/3 SHIELDED CABLE BY INSTALLER. MAXIMUM DEDICATED CONDUIT RUN 200' (FEET).
2. SPRAY EFFECT HEIGHT CONTROL REQUIRES ACTUATED VALVE OR VARIABLE FREQUENCY DRIVE (VFD). CONTACT FOUNTAIN PEOPLE FOR ENGINEERING OPTIONS AND RECOMMENDATIONS.
3. WIND CONTROLLER REQUIRES "AN-1D" ANEMOMETER
4. LOCATE WITHIN 200' (FEET) OF ANEMOMETER LOCATION



PLAN VIEW



ELEVATION VIEW