

FAD-() Series

Adjustable Diverter Fitting

FAD Series Adjustable Diverter Fitting provides a “pour-in-place” embedded fitting with a brass threaded top plate, used to control in-pool discharge flow from NPT piping connection. Fitting is floor mounted.

Specification:

FAD Series Adjustable Diverter Fitting, bronze body with integral waterstop, grounding screw, and female bottom connection. Adjustable brass diverter plate with natural finish.



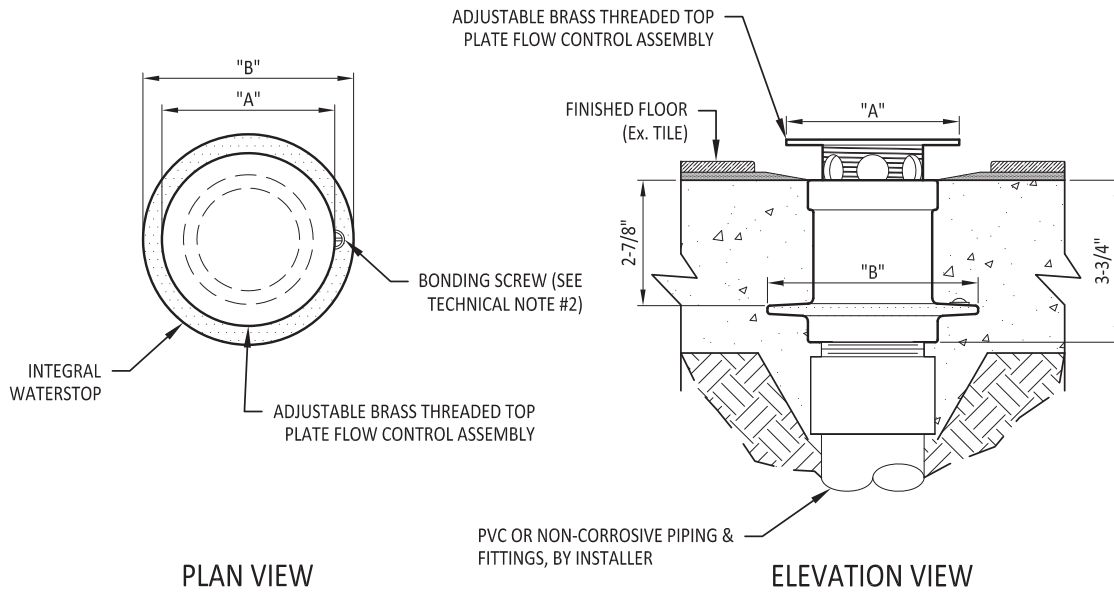
Details

TECHNICAL NOTES:

1. ADJUSTABLE DIVERTER FITTING INTENDED FOR FORMED CONCRETE OR GUNITE/SHOTCRETE APPLICATIONS. THIS PRODUCT IS NOT INTENDED FOR POND/POOL LINER APPLICATIONS.
2. ADJUSTABLE DIVERTER MUST BE BONDED UTILIZING A #8 AWG SOLID COPPER WIRE.
3. MAXIMUM FLOW RATES LISTED ARE BASED ON 16" WATER DEPTH.

Model Number	FNPT	Dimensions		MAX Flow GPM
		A	B	
FAD-150	1½"	3"	5"	30
FAD-200	2"	4"	5"	60
FAD-300	3"	6"	7"	120
FAD-400	4"	8"	7"	160

FLOW RATES SHOWN AT 16" OF OPERATING DEPTH. CONTACT FOUNTAIN PEOPLE FOR SHALLOWER APPLICATIONS



2021-01