

# GEY Series

## Geyser Nozzle:

GEY Series Geyser produces a massive cone-shaped, pulsating column of highly aerated white water.

## Specification:

The GEY Series Geyser Nozzle is machined cast bronze construction, water level dependent, with female threaded inlet.

- Water Level Dependent - Yes
- Wind Resistance - Very Good
- Sound Level - High
- Clogging Potential - Low
- Splash Radius - 1.5

Material: Machined cast bronze  
Finish: Natural bronze



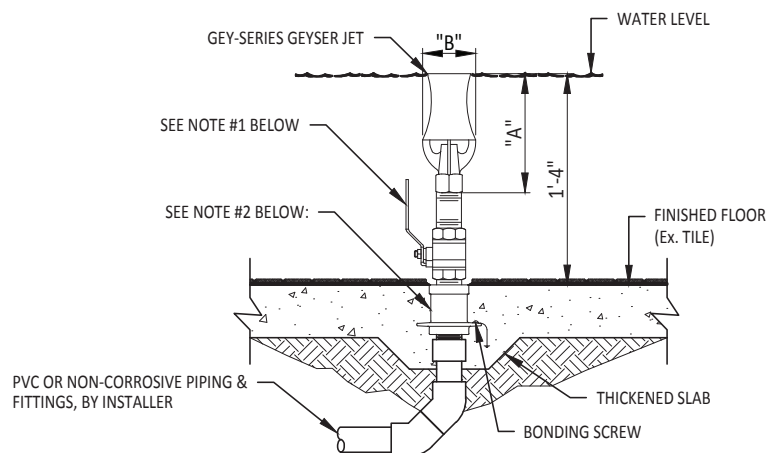
## Details

Model Number	NPT	Inches		Feet	Spray Height										
		A	B		2	4	6	8	10	12	15	20	25	30	
GEY-075	¾"	6 ¾	3	GPM	17	22	27	31	36						
				Head Ft.	11	19	25	32	38						
				Spread - Ft.	1	2	3	4	4.5						
GEY-150	1½"	9	4	GPM		35	43	47	55	60	68				
				Head Ft.		13	20	25	30	36	44				
				Spread - Ft.		2	3	4	4.5	4.5	5				
GEY-300	3"	17 ½	8	GPM		110	132	155	170	182	205	225	240	255	
				Head Ft.		16	23	30	37	46	57	74	90	110	
				Spread - Ft.		2	3	4.5	5.5	6	7	8.5	10	11	

Highlighted sections indicate optimum performance

### TECHNICAL NOTES:

1. BALL VALVE AS REQUIRED PER DESIGN FOR DISCHARGE FLOW CONTROL.
2. WATERSTOP FITTING REQUIRED FOR CONCRETE POUR. SIZE BASED ON PIPING AND NOZZLE SIZE. (SEE CATALOG ITEM: FWS-SERIES)
3. TYPICAL WATER DEPTH SHOWN MAY VARY. CONTACT FOUNTAIN PEOPLE FOR SHALLOWER APPLICATIONS.
4. MAY REQUIRE WAVE BAFFLE FOR SYMMETRICAL SHAPED POOLS. CONSULT FOUNTAIN PEOPLE FOR SPECIFIC APPLICATIONS.
5. THIS NOZZLE IS WATER LEVEL DEPENDENT.



2021-01