

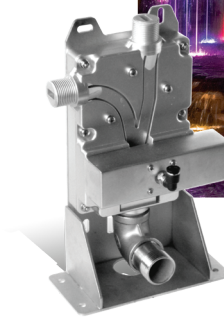
HV Series

HV Series HydroValve

The HydroValve is designed, engineered and fabricated as a fast acting, electrically operated directional water changing assembly. The valve allows for (on-off) programming of an attached spray nozzle. The assembly can be utilized for plaza style water features, choreographed fountain shows or may be used for interactive splash pads.

Specification:

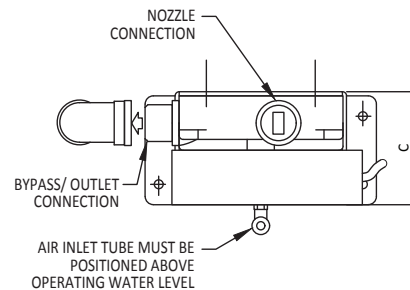
HV Series HydroValve; body is constructed from ABS plastic with Type 316 stainless steel mount and 24VDC (10W) solenoid valve, actuation speeds up to 1/12 second. Unit includes inlet connection (1" for HV-100 models and 1-1/2" for HV-150 model) with (2) two discharge connections (3/4" for HV-100 models and 1-1/2" for HV-150 model), 10' of SJTOW (18/3) cable pre-attached.



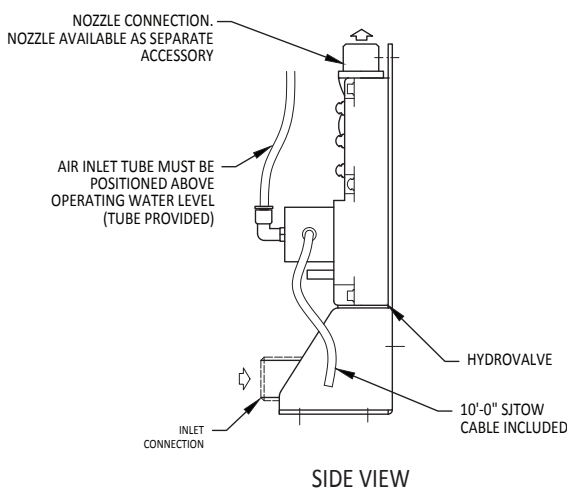
Details

Model Number	Size		Dimensions		
	Inlet	Outlet	"A"	"B"	"C"
HV-100-WOB	1"	3/4"	7"	9"	4"
HV-100-B	1"	3/4"	7"	10"	4"
HV-150-WOB	1 1/2"	1 1/2"	8"	13"	5"
HV-150-B	1 1/2"	1 1/2"	8"	14"	5"

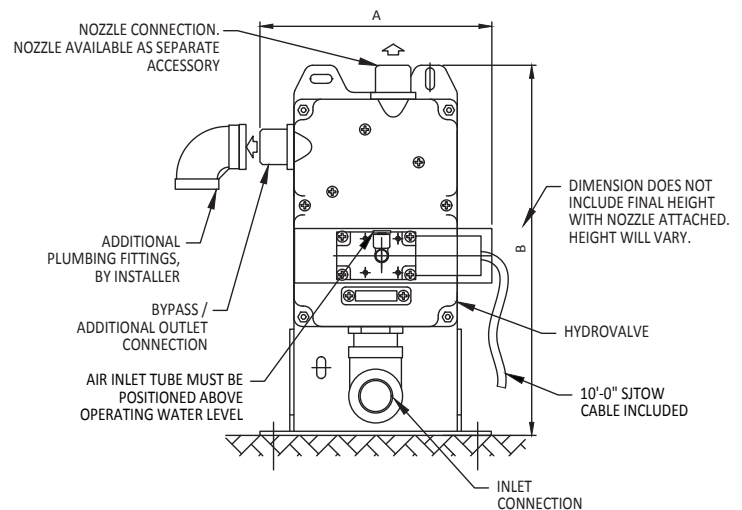
* WOB Versions are without mounting base"



PLAN VIEW



SIDE VIEW



ELEVATION VIEW

TECHNICAL NOTES

1. ASSEMBLY REQUIRES CONTROL PANEL & PUMP DELIVERY SYSTEM
2. NOZZLE REQUIRES FINE SCREENING FOR DEBRIS REMOVAL. #40 (.0165") MINIMUM MESH OR SMALLER.



2021-01