

PJN Series

Precision Jet Nozzle:

The PJN Series Precision Jet Nozzle creates a fine solid stream water effect with angular adjustability.

Specification:

FIN Finger Jet Nozzle, machined cast bronze and brass construction, has an integral adjustment swivel up to 15° off vertical, and uses multiple precision jets. An in-line Y-strainer is recommended to reduce maintenance.

- Water Level Dependent - No
- Wind Resistance - Fair
- Sound Level - Moderate
- Clogging Potential - Moderate
- Splash Radius - 1.5

Material: Machined cast bronze and brass
Finish: Natural bronze and brass



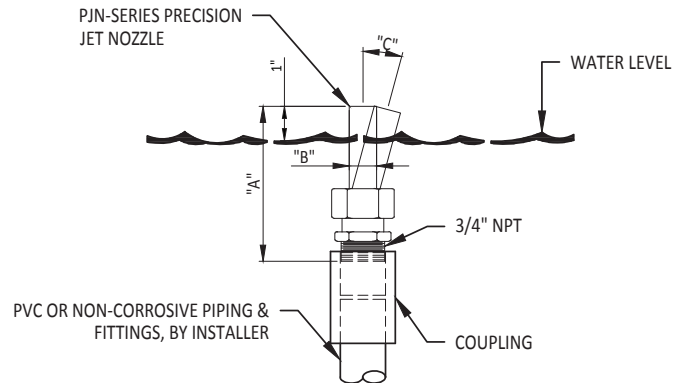
Details

Model Number	NPT	Inches		Angle C	Feet	Spray Height									
		A	B			1	2	3	4	6	8	10	15	20	
PJN-125	¼"	1¾	.125	10°	GPM	0.3	0.4	0.5	0.6	0.7					
					Head Ft.	2	3	4.5	6	9					
PJN-187	¼"	2½	.187	15°	GPM		1	1.5	2	2.5	3				
					Head Ft.		3	4.5	6	9	12				
PJN-250	¼"	2½	.250	15°	GPM		2	2.5	3	4.5	5	6			
					Head Ft.		3	4.5	6	9	12	14			
PJN-375	½"	3	.375	15°	GPM				4	6.5	8.25	10	13		
					Head Ft.				6	9	12	14	20		
PJN-500	¾"	3⅝"	.500	15°	GPM					16	17	19	22	26	
					Head Ft.					9	12	14	20	27	

Highlighted sections indicate optimum performance

TECHNICAL NOTES:

1. NOZZLE (PJN-125, PJN-187) REQUIRES FINE SCREENING FOR DEBRIS REMOVAL. #40 MESH OR SMALLER. CONTACT FOUNTAIN PEOPLE FOR SPECIFIC REQUIREMENTS.
2. THIS NOZZLE IS WATER LEVEL INDEPENDENT.



ELEVATION VIEW

2021-01