

# VEN Series

## Vee Jet:

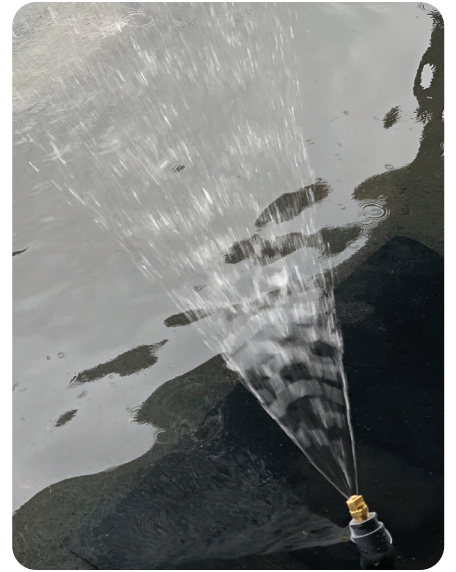
VEN Series Vee Nozzle provides a clear, fan-shaped sheet of water. This nozzle can be mounted in a vertical or horizontal position.

## Specification:

VEN Series Vee Nozzle, one piece brass construction, water level independent spray effect. MNPT connection.

- Water Level Dependent - No
- Wind Resistance - Poor
- Sound Level - Low
- Clogging Potential - Moderate
- Splash Radius - 1.5

Material: Machined brass  
Finish: Natural brass

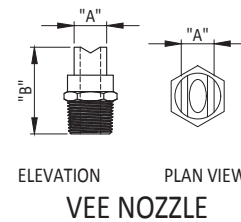
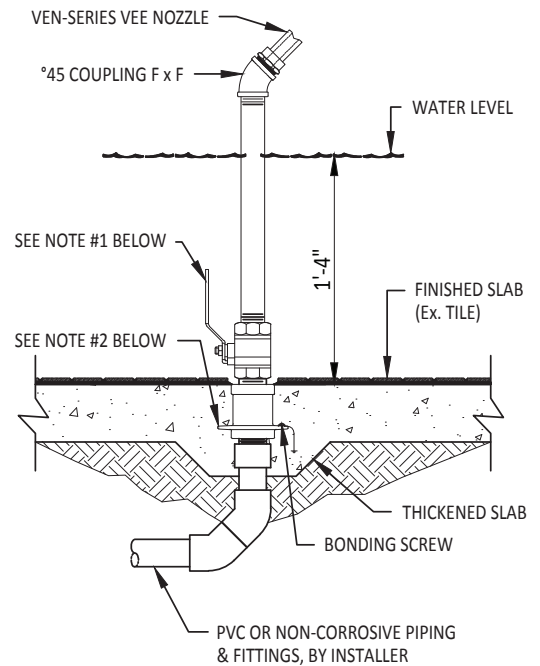


## Details

Model Number	NPT	Dimensions		Throw in Feet @ 45°	Spray Throw / Performance						
		A	B		2	3	4	5	6	8	10
VEN-050	1/2"	5/8"	1 1/2"	GPM	1.0	1.3	1.5	1.7	2.0		
				Head Ft.	4	5	8	6	7		
				Spread In.	2	8	18	24	36		
				Apex In.	6	9	12	15	18		
VEN-075	3/4"	7/8"	2"	GPM	2.0	3.0	4.0	5.0	7.0	8.0	
				Head Ft.	2	3	4	6	7	8	
				Spread In.	5	10	18	30	38	56	
				Apex In.	6	9	12	15	18	24	
VEN-100	1"	1 1/8"	2 5/16"	GPM	3.5	5.5	7.0	9.0	12.5	14.5	17
				Head Ft.	2	3	4	6	7	8	10
				Spread In.	8	18	28	36	52	72	96
				Apex In.	6	9	12	15	18	24	30
VEN-125	1 1/4"	1 3/8"	3 3/4"	GPM	4.5	7.0	9.0	12	16	20	24
				Head Ft.	2	3	4	6	7	8	10
				Spread In.	11	18	30	40	56	84	96
				Apex In.	6	9	12	15	18	24	30
VEN-200	2"	2"	5 5/8"	GPM	15	24	30	35	38	47	55
				Head Ft.	2	3	4	6	7	8	10
				Spread In.	18	24	34	48	68	96	120
				Apex In.	6	9	12	15	18	24	30

### NOZZLE REQUIREMENTS:

1. BALL VALVE AS REQUIRED PER DESIGN FOR DISCHARGE FLOW CONTROL.
2. WATERSTOP FITTING REQUIRED FOR CONCRETE POUR. SIZE BASED ON PIPING AND NOZZLE SIZE. (SEE CATALOG ITEM: FWS-SERIES)
3. TYPICAL WATER DEPTH SHOWN MAY VARY. CONTACT FOUNTAIN PEOPLE FOR SHALLOWER APPLICATIONS.
4. FINE SCREENING AT PUMP, HALF THE DIAMETER OF JET ORIFICE OR SMALLER TO MINIMIZE NOZZLE CLOGGING IS RECOMMENDED.



2021-01